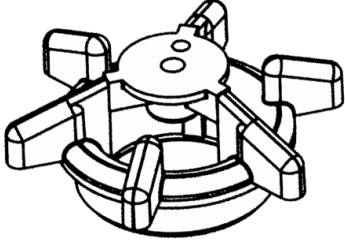
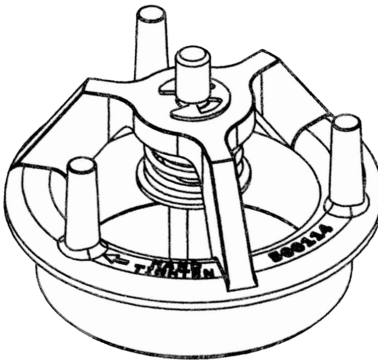
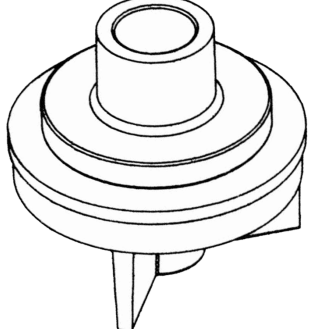
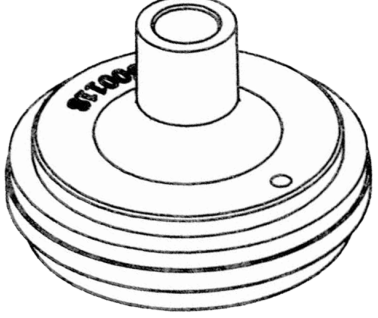


NOTICE 09-001

It has come to the attention of the Foundation that there are unapproved components distributed by third parties, which may be installed in the following Febco pressure vacuum breaker assemblies:

Model 765: 1/2", 3/4", 1", 1 1/4"

The Foundation approved air inlet valve components manufactured by Febco are illustrated below:

Bonnet Assembly		
Poppet Assembly		
	1/2" - 3/4"	1" - 1 1/4"

The air inlet valve components which were evaluated and approved by the Foundation are a light gold/amber translucent color.

For these pressure vacuum breaker assemblies to be Foundation approved, they must contain the approved components illustrated above.